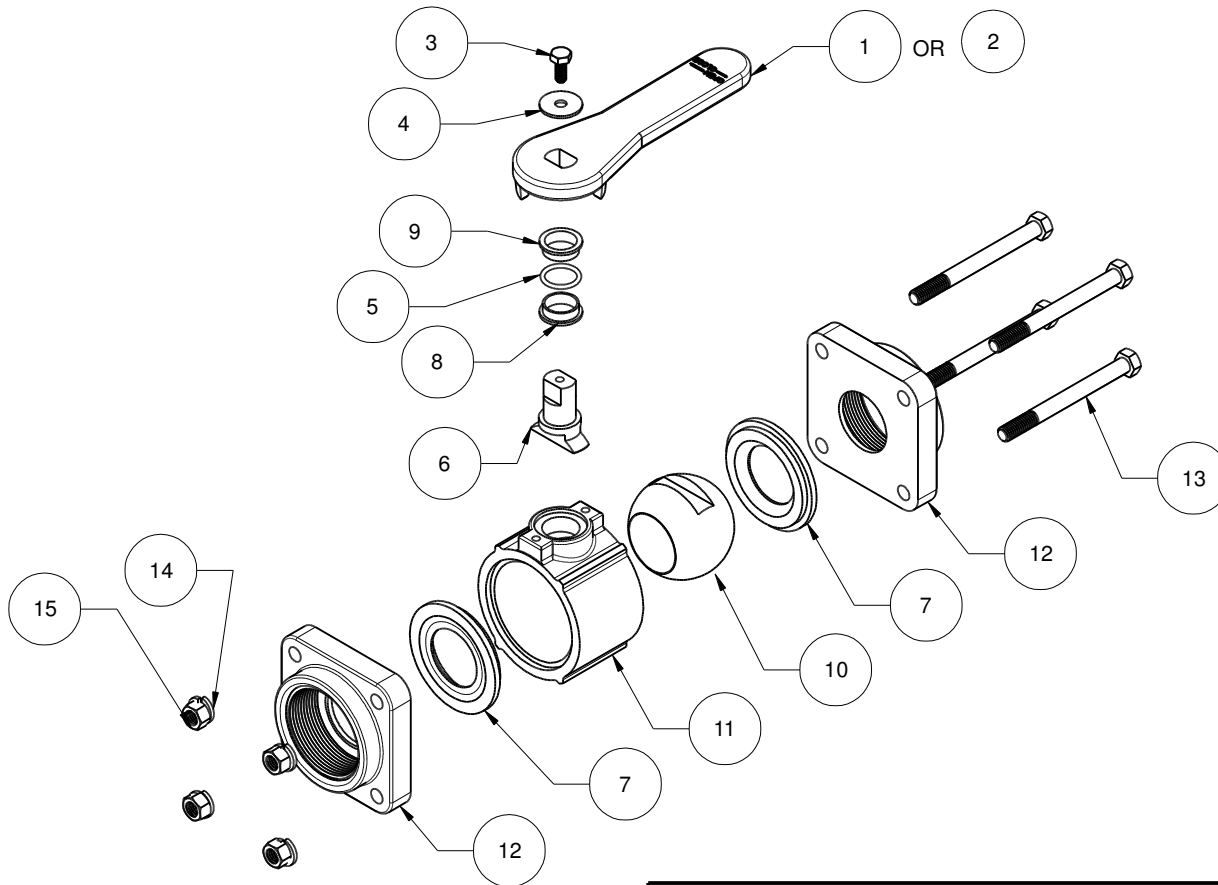


ITEM NO	QUANTITY	DESCRIPTION	PART NO
1	1	HANDLE, RED POLYPRO	4L101-00
2	1	** HANDLE, YELLOW POLYPRO	4L101-10
3	1	SS BOLT, HANDLE	4H010-00
4	1	SS WASHER, HANDLE	4H016-00F
5	1	VITON O-RING, SHAFT	4H038-00
6	1	SHAFT, POLYPRO	4S301-00
7	2	SEAT, POLYTEF	4S101-20
8	1	LOWER BEARING, POLYTEF	4B301-20
9	1	UPPER BEARING, POLYTEF	4H013-20
10	1	BALL, POLYTEF	4B101-00
11	1	BODY, POLYPRO	4B201-00
12	2	END CAP, POLYPRO	4E104-00
13	4	BOLT, CAD	4H001-00
14	4	WASHER, CAD	4H017-00
15	4	NUT, CAD	4H024-00

** 4111E-20 = VALVE W/ YELLOW HANDLE



BEE VALVE, INC

TITLE/DESC

**BOLTED BALL
VALVE**



MATERIAL
SEE PARTS
TABLE

THIS DOCUMENT CONTAINS PROPRIETARY INFORMATION AND MAY NOT BE DISCLOSED TO OTHERS FOR ANY PURPOSE, NOR USED FOR MANUFACTURING PURPOSES WITHOUT THE WRITTEN PERMISSION OF BEE VALVE INC

DATE
04/21/17

PART NO
4011E-20

REV